

Keel, stem post and section frames outlined

PLAN

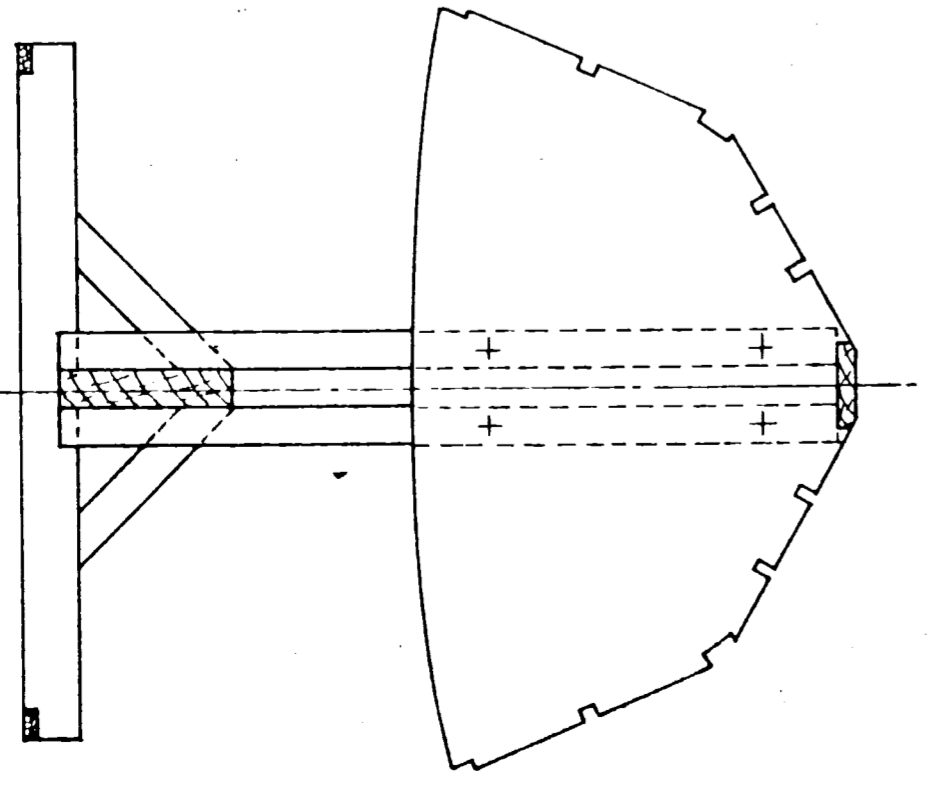
Timber sizes for suggested building frame.

Main beam	229 X 51	(9' X 2')
Loosings	102 X 76	(4' X 3')
Coaling ties & braces	38 X 19	(1 1/2' X 3/4')
Wrights & braces	51 X 51	(2' X 2')
Section frames	13mm plywood (1/2")	

Note - It is important that the building frame remain true and firm throughout the building operation.

Dimensions, unless otherwise stated, are in millimeters.

These dims. to be read in conjunction with 'Sharpie Manual'.



END ELEVATION

Typical section frame setup.

DRN	W.A.S. 12.3.64
AUSTRALIAN LIGHTWEIGHT SHARPIE COUNCIL	
LIGHTWEIGHT SHARPIE SUGGESTED BUILDING FRAME	
DRG No	4