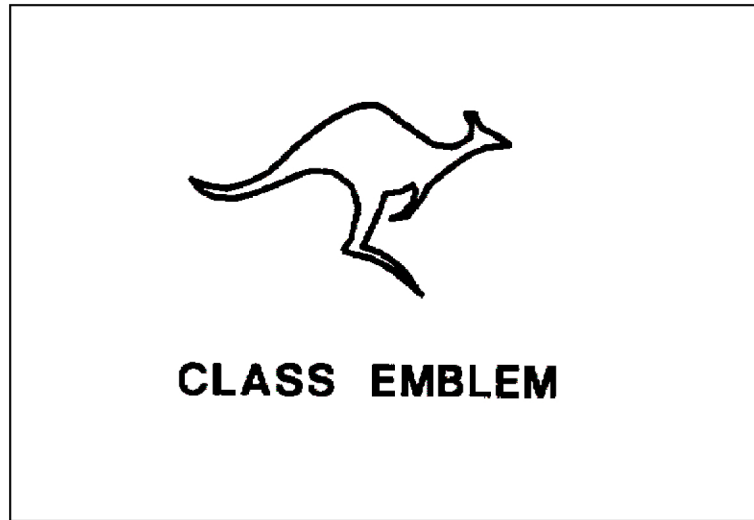
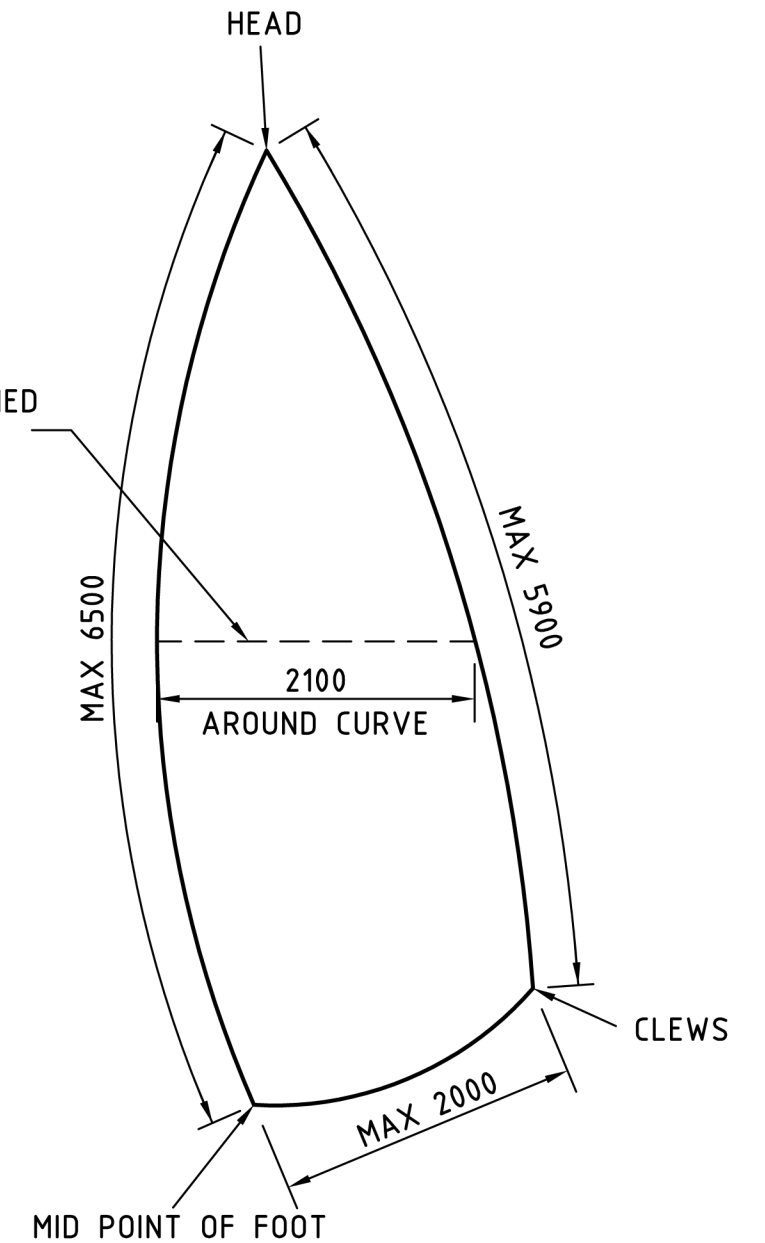


DETAIL AT HEAD OF MAINSAIL



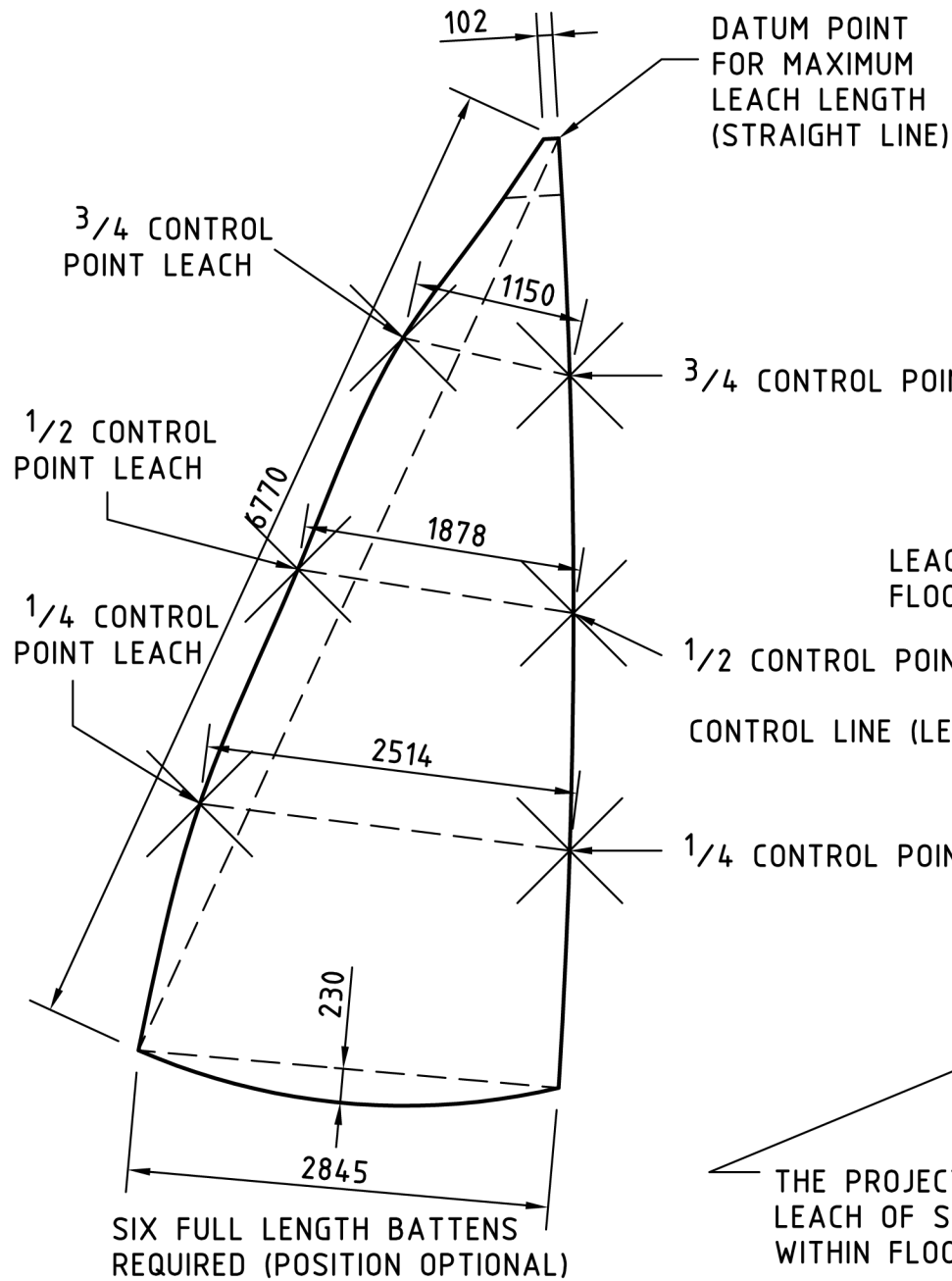
CLASS EMBLEM

CONTROL LINE ESTABLISHED BY FOLDING HEAD TO CLEWS

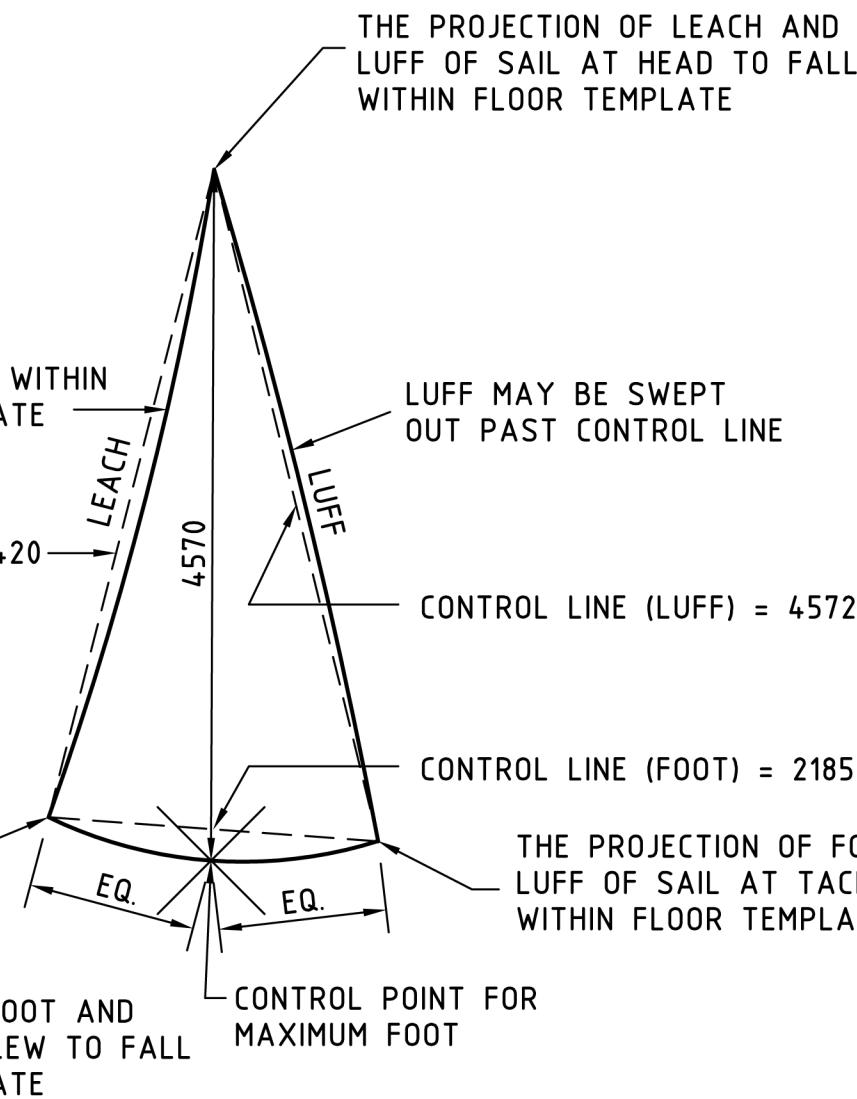


SPINNAKER

SHOWN FOLDED ALONG CENTRELINE HEAD TO FOOT



MAINSAIL



HEADSAIL

NOTES

1. ALL DIMENSIONS IN MILLIMETRES
2. DRAWING IS NOT TO BE SCALED
3. DRAWING IS PROVIDED AS AN AID ONLY. IT IS TO BE READ IN CONJUNCTION WITH ALL OTHER CLASS DOCUMENTS.
4. BY-LAWS PART A & PART B TAKE PRECEDENCE OVER THIS DRAWING

SAILS

AUSTRALIAN SHARPIE SAILING ASSOCIATION INC.

CLASS DRAWINGS

DRAWN

A.C.

SCALE

1:50 ON A3

DATE

DEC. 2001

DRAWING No.

01

ISSUE

A

DATE	DESCRIPTION	REV.